

MICRO SWITCH

A DIVISION OF MINNEAPOLIS-HONEYWELL REGULATOR COMPANY
FED. MFR. CODE 91929

SWITCH - ENCLOSED

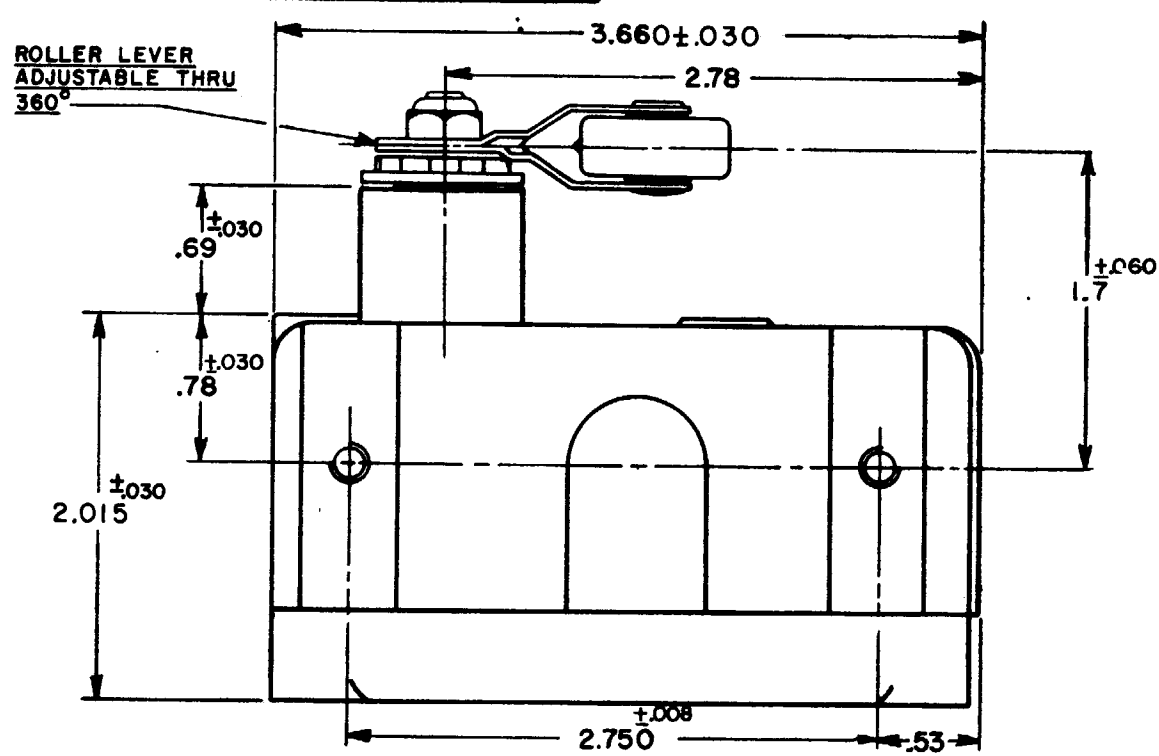
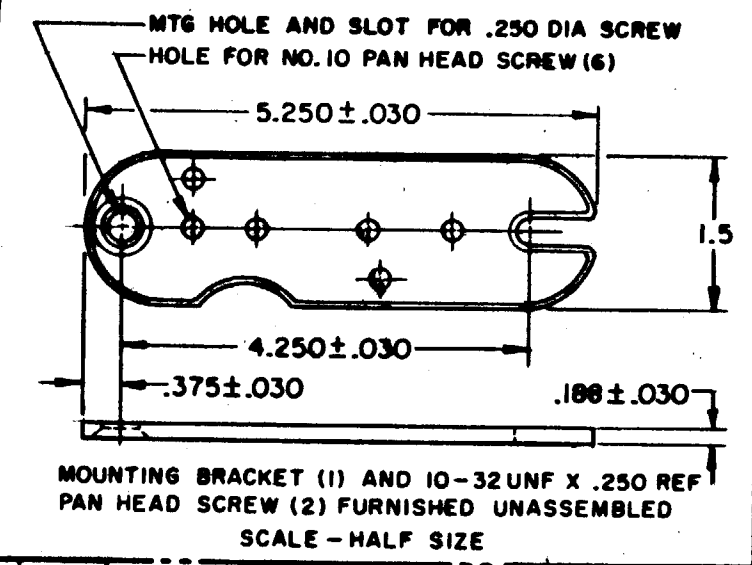
CATALOG LISTING

EXA-AR

THIS DRAWING COVERS A PROPRIETARY ITEM AND IS THE PROPERTY OF MICRO SWITCH, A DIVISION OF HONEYWELL. THIS DRAWING IS NOT TO BE COPIED OR USED WITHOUT THE APPROVAL OF MICRO SWITCH.

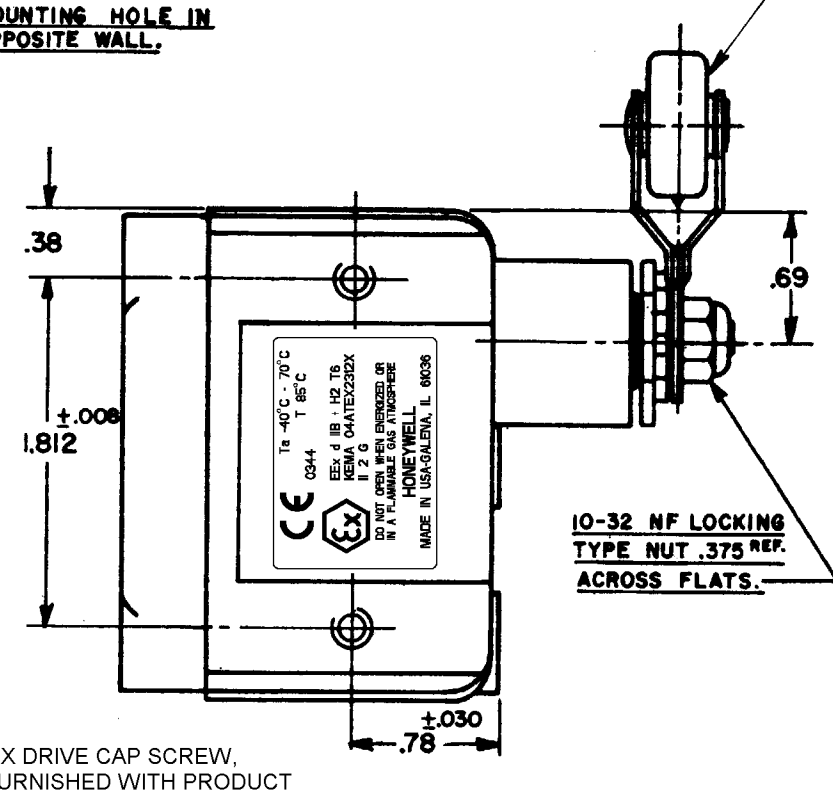
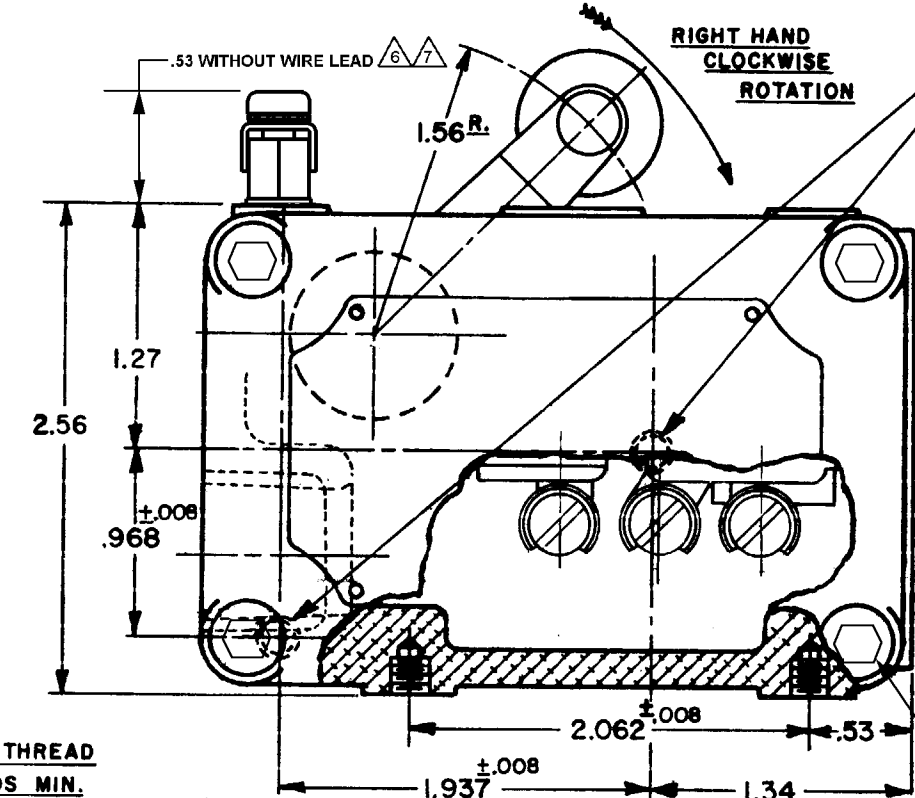
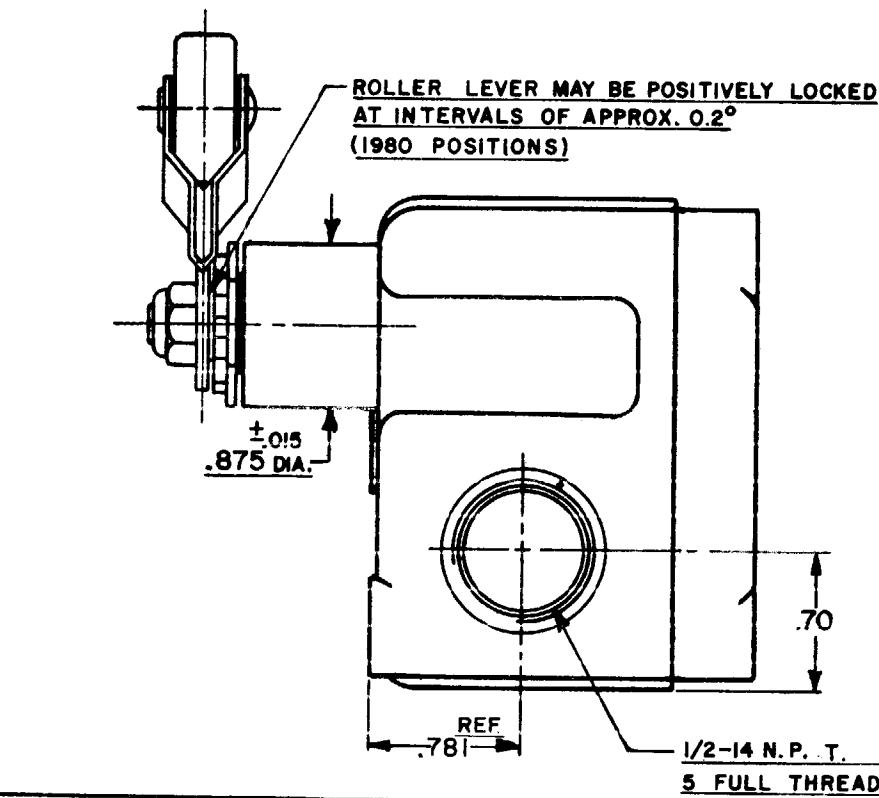
M

(M) EXA-AR ISSUE 2
 REPLACES
 EXA-AR
 DRAWING NUMBER
 15
 ISSUE
 15
 RELEASE NO.
 26 APR 05
 CHECK
 15 AUG 57
 19 AUG 57
 26 DEC 56
 4 DEC 59
 10 FEB 61
 10 DEC 62
 19 JUNE 64
 27 OCT 66
 18 JUL 69
 9 NOV 85
 22 APR 87
 70715-C
 SAV
 6 NOV 91
 DRAWN
 R.E.R.
 26 DEC 56
 74-943



**.750 REF. DIA. X .312 REF. WIDE ROLLER
MADE OF NON-SPARKING WEAR
RESISTANT MATERIAL.**

M C073019
 MAM
 19 SEP 92
 N 0012750
 DVM
 26 APR 05



| CHARACTERISTICS | |
|-----------------------------------|----------------|
| OPERATING FORCE | 12-32 OZ. |
| RELEASE FORCE | 8 OZ. MIN. |
| PRETRAVEL | .219 MAX. (8°) |
| DIFFERENTIAL TRAVEL | .012 MAX. |
| DONOT OVERTRAVEL MORE THAN 25° | |
| SWITCH-BASIC REPLACEMENT BA-2R-P4 | |

| ELECTRICAL DATA | |
|--|--|
| CONTACT ARRANGEMENT S. P. D. T. | |
| L23 20 A-125, 250 OR 480 VAC 10 A-125 VAC "L" 1 HP-125 VAC, 2 HP-250 VAC 1/2 A-125 VDC, 1/4 A-250 VDC | |

| SCALE FULL | |
|---|--------------|
| DO NOT SCALE PRINT | |
| UNLESS OTHERWISE SPECIFIED DIMENSIONS ARE IN INCHES | |
| TOLERANCES ARE: | |
| ONE PLACE | (.0) ±.030 |
| TWO PLACE | (.00) ±.018 |
| THREE PLACE | (.000) ±.008 |
| ANGLES | ± |
| WEIGHT | |

- NOTE-**
- (8) MOUNTING SCREW HOLES, 10-32 NF-2B THREADS X .219 REF. DEEP.
 - 8-32 NC X .219 REF. TERMINAL SCREWS AND CUPWASHERS.
 - EXPLOSION PROOF - UNDERWRITER'S LAB, INC. LISTING FOR HAZARDOUS LOCATIONS NEMA 7, CLASS I, GROUPS C AND D, NEMA 9, CLASS II, GROUPS E, F AND G
 - EUROPEAN HAZARDOUS LOCATIONS DESIGNATION: EEx dIIB + H2 T6 CATAGORY II 2 G
 - SEAL RATING: NEMA 1
 - EXTERNAL GROUND SCREW MAY BE ASSEMBLED TO ANY UNUSED MOUNTING SCREW HOLE
 - ASSEMBLE PROVIDED SPLIT LOCKWASHER BETWEEN GROUND LUG AND HOUSING